

The SPARK GAP

147.375  T-110.9  444.350

Volume 2 Number 2

February 2005

IN THIS ISSUE

CVARC Meeting Minutes	Antennas
Next Club Meeting	Ask Elmer?
Club Happenings	Technical Tidbits
Amateur Related News Bites	
Area Hamfest Activities	
Contest Buzz	

PRESIDENTS CORNER

by Gale, WD9HFT

The first meeting of 2005 was an initial planning session for 2005. Many different ideas and topics were discussed. I would encourage all members to attend these meetings so that we can plan those things that best represent the members desires. Hope to see everyone at the February meeting.

CVARC MEETING MINUTES

by Ron, W9RJW

Our January meeting was filled with important information and discussions. Anyone wishing to run for office should submit their name by the February 17 meeting. Elections will be held at our March 17 meeting. Positions open include President Elect, Treasurer, and Secretary. Transmitter hunts are planned for 3/12/05 (2M), 7/16/05 (440), and 10/15 (??). Field day was discuss and the decision made to secure approval for three or four sites with a two hour notice to participants prior to the start of the event. It was felt this would more closely replicate an emergency situation. Beginning may be with Mobil units and then transition to an appropriate enclosure as setup allowed. Hamfesting was discussed including Dayton in May, Grays Lake (or something to replace it) and Superior. Please share your thoughts and suggestions. The possibility of a Tailgate event and community projects were also discussed. Club tours of county communications centers, Rex Systems, Cray or SGI and others created significant interests. W9RMA discuss Emergency Communications and his work with the City of Chippewa Falls and County Emergency Government Director Dennis Brown. Ron will have a 10-15 presentation and discussion at the February meeting. A list of group projects similar to our Fox Hunt antennas is needed and might include a signal strength meter. Please make suggestions. This will be another fun year at CVARC.

Ron Krueger W9JRW
Secretary

NEXT CLUB MEETING

The next club meeting will be February 17, 2005 at 7:15 PM. at Connell's in the Airport. For those wanting to eat, we will be ordering at 6:15 PM. Topics – Elections, March Fox Hunt, Traffic Handling - Radiograms

CLUB HAPPENINGS

Dust off those Fox Hunt antennas. We will be having another **2M Fox Hunt on March 12**. It will be ran in two modes. One is for those using ONLY an HT with Rubber Duck. No use of an external Directional antenna. The other class will be open. Use of any and all types of antennas and decade boxes. This contest is open to all Amateurs and guests.

AMATEUR RELATED NEWS BITES

by John, W9SWL

County Emergency Coordinators Meet

by Ron, W9RMA

The EC Meeting took place at Connell's II at the Eau Claire Airport. Meeting was arranged by Ron Anderson-EC Chippewa Co. of the CVARC and Richard Kelly-EC Eau Claire Co. of the ECARC.

The meeting was held to discuss inter communications of EC's in the West Central District and with the NWS-Chanhassen We had EC's from Eau Claire, Chippewa, Dunn, St. Croix, Barron, Pepin, Pierce, Jackson as well as two representatives from the Nation Weather Serve, Chanhassen, MN.

The meeting got off to a slow start because of the bad weather that we had which increased the travel time for some members. The meeting finally got going and went until lunch, and then adjourned around 14:45.



(Photo by Richard Kelly-WØZUP)

SB SPACE ARL ARLS001

ARLS001 Useful life of UO-22 satellite appears over

According to AMSAT-UK, the UO-22 satellite is not in good shape and its useful life may be over. The Surrey Satellite Technology Limited (SSTL) Ground Station control center has tried several times in recent weeks to reactivate the satellite, AMSAT-UK reports. The satellite did come back to life briefly following one attempt, but other tries have failed completely.

ARRL News

AREA HAMFEST ACTIVITIES

by John, W9SWL

February

- 5 - Nauganee, MI 147.27
- 5 - Grand Forks, ND 146.94
- 15 - Red Cedar Repeater Auction, Eau Claire, WI
- 26 - St Cloud, MN - NG Armory
- 26 - Bismarck, ND 146.94

March (13 - Wi QSO Party)

- 19 - Buffalo, MN - Mid Winter Madness
- 20 - Jefferson, WI www.cmdline.com/trarc 145.49 (123)

April

- 1-2 - Milwaukee, WI AES Superfest
- 16 - Faribault, MN 146.79 (100)
- 16 - West Fargo, ND 147.255 (82.5)
- 16 - Grayslake, IL 147.345 (102.7)
- 17 - Stoughton, WI Madison Area Hamfest 0800-1300 147.75
- 23 - Des Moines, IA 146.94 (114.8)

CONTEST BUZZ

by John, W9SWL

ARRL Contest Calendar can be found here:

<http://www.arrl.org/contests/calendar.html> a more complete list follows. February 2005:

Vermont QSO Party	0000Z, Feb 5 to 2400Z, Feb 6
10-10 Int. Winter Contest, SSB	0001Z, Feb 5 to 2359Z, Feb 6
YL-ISSB QSO Party	1100Z, Feb 5 to 1700Z, Feb 6
Minnesota QSO Party	1400Z-2400Z, Feb 5
AGCW Straight Key Party	1600Z-1900Z, Feb 5
Delaware QSO Party	1700Z, Feb 5 to 0500Z, Feb 6 and 1300Z, Feb 6 to 0100Z, Feb 7
Mexico RTTY International Contest	1800Z, Feb 5 to 1759Z, Feb 6
North American Sprint, SSB	0000Z-0400Z, Feb 6
ARCI Winter Fireside SSB Sprint	2000Z-2400Z, Feb 6
RSGB 80m Club Championship, SSB (Feb)	2000Z-2130Z, Feb 7

ARS Spartan Sprint (Feb)	0200Z-0400Z, Feb 8
KCJ Topband Contest	1200Z, Feb 10 to 1200Z, Feb 11
CQ WW RTTY WPX Contest	0000Z, Feb 12 to 2359Z, Feb 13
SARL Kid's Day	0700Z-0900Z, Feb 12
SARL Field Day Contest	1000Z, Feb 12 to 1000Z, Feb 13
Asia-Pacific Spring Sprint, CW	1100Z-1300Z, Feb 12
Dutch PACC Contest	1200Z, Feb 12 to 1200Z, Feb 13
Louisiana QSO Party	1500Z, Feb 12 to 0300Z, Feb 13
OMISS QSO Party	1500Z, Feb 12 to 1500Z, Feb 13
FISTS Winter Sprint	1700Z-2100Z, Feb 12
British Columbia QSO Challenge	1800Z, Feb 12 to 1800Z, Feb 13
RSGB 1st 1.8 MHz Contest, CW	2100Z, Feb 12 to 0100Z, Feb 13
North American Sprint, CW	0000Z-0400Z, Feb 13
ARRL School Club Roundup	1300Z, Feb 14 to 0100Z, Feb 19
AGCW Semi-Automatic Key Evening	1900Z-2030Z, Feb 16
RSGB 80m Club Championship, Data (Feb)	2000Z-2130Z, Feb 16
ARRL Inter. DX Contest, CW	0000Z, Feb 19 to 2400Z, Feb 20
CQC Winter QSO Party	2200Z, Feb 20 to 0359Z, Feb 21
RSGB 80m Club Championship, CW (Feb)	2000Z-2130Z, Feb 24
Russian PSK WW Contest	2100Z, Feb 25 to 2100Z, Feb 26
CQ 160-Meter Contest, SSB	0000Z, Feb 26 to 2359Z, Feb 27
REF Contest, SSB	0600Z, Feb 26 to 1800Z, Feb 27
UBA DX Contest, CW	1300Z, Feb 26 to 1300Z, Feb 27
Mississippi QSO Party	1500Z, Feb 26 to 0300Z, Feb 27
CZEBRIS Contest	1600Z, Feb 26 to 2400Z, Feb 27
North American QSO Party, RTTY	1800Z, Feb 26 to 0600Z, Feb 27
High Speed Club CW Contest	0900Z-1100Z, Feb 27 and 1500Z-1700Z, Feb 27

ANTENNAS

by John, W9SWL

A **loop antenna** is a small multi turn loop of less than 1/10th wavelength in length. The loop is wound on a form, which may be either box (solenoid), or spiral (pancake) wound. The core material can either be air, or a powdered iron compound (Ferrite). The gain of a loop is much less than a longwire, but it has much less noise pickup. A properly designed Loop primarily responds to the magnetic component of the radio wave. Note that noise resides primarily in the electrical component. A vertical antenna responds mainly to the electrical component.

TECHNICAL TIDBITS

by John, W9SWL

This circuit shows an active antenna that can be used for AM, FM, and shortwave (SW). On the shortwave band this active antenna is comparable to a 20 to 30 foot wire antenna. This circuit is designed to be used on receivers that use untuned wire antennas, such as inexpensive units and car radios. L1 can be selected for the application. A 470uH coil works on lower frequencies (AM). For shortwave, try a 20uH coil.

The unit can be powered by a 9 volt battery. If a power supply is used, bypass the power supply with a .04uF capacitor to prevent noise pickup. The antenna used on this circuit is a standard 18" telescoping type. Output is taken from jack J1 and run to the input on the receiver.

CVARC OFFICERS

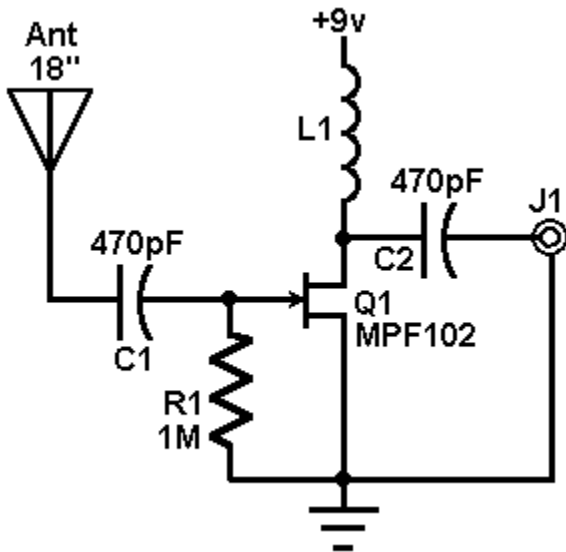
President – Gale Sorum (WD9HFT)
Vice President – John Balow (KB9VCO)
Secretary – Ron Krueger (W9JRW)
Treasurer – Ron Anderson (W9RMA)
Past President – John Ingersoll (W9SWL)

Mailing Address:

Secretary - CVARC
18310 79th Ave
Chippewa Falls WI 54729

Web: <http://www.w9cva.org>

Email: info@w9cva.org



ASK ELMER ??

by John, W9SWL

What is an Elmer?

An ELMER is the person or persons that helped you get your ham ticket. The person(s) that inspired you.