

# The SPARK GAP

147.375  T-110.9  444.350

## IN THIS ISSUE

|                            |                   |
|----------------------------|-------------------|
| CVARC Meeting Minutes      | Boat Anchor Dock  |
| Next Club Meeting          | Ask Elmer ??      |
| Club Happenings            | Technical Tidbits |
| Amateur Related News Bites |                   |
| Area Hamfest Activities    |                   |
| Contest Buzz               |                   |

## PRESIDENTS CORNER

by Gale, WD9HFT

I would encourage all members to try and attend the next club meeting so that the formal adoption of the club Bylaws can be voted on. Please also take time to reply to those items on the web page (projected projects, Christmas Party). Please let us know what you are interested in doing. We are also getting close to picking some new club officers. If you are interested in running for a position or know of someone who you would like to nominate, please let John (W9SWL) or me know.

## CVARC MEETING MINUTES

by Ron, W9RJW

The November meeting was held at Connell's II Restaurant at the airport. The main discussion was the Club By-Laws. Time did not allow for a completion of the discussion items and some changes were recommended and noted. A good meal was had and the meeting ended at 8:55 PM.

## NEXT CLUB MEETING

The next club meeting will be Dec 16, 2004, Connell's II at the airport. Eat – 6:15 PM meeting 7:00 PM. This could also be a project night so pass along your suggestions and watch the web page for updates. If you ever have questions about the next meeting, contact any of the club officers for details or additional information.

## CLUB HAPPENINGS

The **440 Fox Hunt** on **October 16** was another fun event. Because of the higher frequency and lower power, it took hunters longer to acquire the signal. The 1<sup>st</sup> Place went to Ron Anderson-W9RMA, with a time of 50 minutes. The 2<sup>nd</sup> Place went to Jim Mercer, W5JLM, with a time of 1 Hour and 52 minutes. No other hunters found the FOX.

The CVARC now has 35 members. The club Application for Membership and Interest Sheet are both posted on the web for download.

Anyone interested in submitting news line for the paper, please send it to the club email address for inclusion. What you know can also benefit others – lets share the

knowledge. If you would like to author one of the major newsletter topics, they are also available.

## AMATEUR RELATED NEWS BITES

by John, W9SWL

### ARRL News

The deadline is December 31 for ARRL WAS/90 Award: There's still time to make your 50 contacts to qualify for the ARRL Worked All States in the 90th Award. No QSL cards are necessary. Just fill out the application showing the contacts you've logged. To be valid for the award, all contacts must be made between 0000 UTC on April 3, 2004, and 2359 UTC on December 31, 2004. WAS in the 90th applications will be accepted through 2005. For more information, visit the WAS in the 90th Web page <http://www.arrl.org/awards/was-90> .

### AREA HAMFEST ACTIVITIES

by John, W9SWL

#### Nov

6 - Waukesha, WI

7 - Fox Cities ARC, Menasha, WI

14 - Davenport, IA

Dec - None listed

### CONTEST BUZZ

by John, W9SWL

ARRL Contest Calendar can be found here:

<http://www.arrl.org/contests/calendar.html> a more complete list follows.

|                                       |  |
|---------------------------------------|--|
| ARS Spartan Sprint                    | 0200Z-0400Z, Nov 2                           |
| IPARC Contest, CW                     | 0600Z-1000Z, Nov 6 and<br>1400Z-1800Z, Nov 6 |
| Ukrainian DX Contest                  | 1200Z, Nov 6 to 1200Z,<br>Nov 7              |
| ARRL Sweepstakes Contest, CW          | 2100Z, Nov 6 to 0300Z,<br>Nov 8              |
| NA Collegiate ARC Championship,<br>CW | 2100Z, Nov 6 to 0300Z,<br>Nov 8              |
| IPARC Contest, SSB                    | 0600Z-1000Z, Nov 7 and<br>1400Z-1800Z, Nov 7 |
| High Speed Club CW Contest            | 0900Z-1100Z, Nov 7 and<br>1500Z-1700Z, Nov 7 |
| DARC 10-Meter Digital Contest         | 1100Z-1700Z, Nov 7                           |
| WAE DX Contest, RTTY                  | 0000Z, Nov 13 to 2359Z,<br>Nov 14            |
| JIDX Phone Contest                    | 0700Z, Nov 13 to 1300Z,<br>Nov 14            |
| SARL Field Day Contest                | 1000Z, Nov 13 to 1000Z,<br>Nov 14            |

The Spark Gap • Chippewa Valley Amateur Radio Club • November 2004

|                                     |  |                              |                             |  |
|-------------------------------------|--|------------------------------|-----------------------------|--|
| OK/OM DX Contest, CW                | 1200Z, Nov 13 to 1200Z,<br>Nov 14  | 4286                         | VWC                         | Calcutta, India  |
|                                     |  | 4291                         | ZSC                         | Cape Town, So. Africa  |
| LZ DX Contest                       | 1200Z, Nov 20 to 1200Z,<br>Nov 21  | 4298                         | CBV                         | Valparaiso, Chile  |
|                                     |  | 4500                         | VNG                         | Australia  |
| EUCW Fraternizing CW QSO Party      | 1500Z-1700Z, Nov 20 and<br>1800Z-2000Z, Nov 20 and<br>0700Z-0900Z, Nov 21 and<br>1000Z-1200Z, Nov 21 | 4525<br>5000<br>5000<br>5000 | Y3S<br>ATA<br>BSF<br>HD2IOA | Nauen, Germany<br>New Delhi, India<br>Chung Li, Taiwan<br>Guayaquil, Ecuador |
|                                     |  | 5000                         | HLA                         | Taejeon, So. Korea   |
| All Austrian 160-Meter Contest      | 1600Z, Nov 20 to 0700Z,<br>Nov 21  | 5000                         | IAM                         | Rome, Italy  |
|                                     |  | 5000                         | IBF                         | Turin, Italy   |
| ARRL Sweepstakes Contest, SSB       | 2100Z, Nov 20 to 0300Z,<br>Nov 22  | 5000                         | JJY                         | Tokyo, Japan   |
|                                     |  | 5000                         | LOL                         | Buenos Aires, Argentina  |
| NA Collegiate ARC Championship, SSB | 2100Z, Nov 20 to 0300Z,<br>Nov 22  | 5000                         | WWV                         | Fort Collins, Colorado   |
|                                     |  | 5000                         | WWVH                        | Kekaha, Kauai, Hawai'i   |
| RSGB 2nd 1.8 MHz Contest, CW        | 2100Z, Nov 20 to 0100Z,<br>Nov 21  | 5000                         | ZUO                         | Olifantsfontein, So. Africa  |
|                                     |  | 6100                         | YVTO                        | Caracas, Venezuela   |
| CQ Worldwide DX Contest, CW         | 0000Z, Nov 27 to 2400Z,<br>Nov 28  | 6840                         | EBC                         | San Fernando, Spain  |
|                                     |  | 7335                         | CHU                         | Ottawa, Ontario, Canada  |
|                                     |  | 7500                         | VNG                         | Australia  |
|                                     |  | 7600                         | HD2IOA                      | Guayaquil, Ecuador   |
|                                     |  | 8000                         | JJY                         | Tokyo, Japan   |
|                                     |  | 8461                         | ZSC                         | Cape Town, So. Africa  |
|                                     |  | 8473                         | 4PB                         | Colombo, Sri Lanka   |
|                                     |  | 8539                         | VPS35                       | Kowloon, Hong Kong   |
|                                     |  | 8542                         | PKX                         | Jakarta, Indonesia   |
|                                     |  | 8650                         | OBC3                        | Callao, Peru   |
|                                     |  | 8677                         | CBV                         | Valparaiso, Chile  |
|                                     |  | 8721                         | PPE ?                       | Rio de Janeiro, Brazil   |
|                                     |  | 10000                        | ATA                         | New Delhi, India   |
|                                     |  | 10000                        | JJY                         | Tokyo, Japan   |
|                                     |  | 10000                        | LOL                         | Buenos Aires, Argentina  |
|                                     |  | 10000                        | WWV                         | Fort Collins, Colorado   |
|                                     |  | 10000                        | WWVH                        | Kekaha, Kauai, Hawai'i   |
|                                     |  | 11400                        | PLC                         | Jakarta, Indonesia   |
|                                     |  | 12000                        | VNG                         | Australia  |
|                                     |  | 12008                        | EBC                         | San Fernando, Spain  |
|                                     |  | 12307                        | OBC3                        | Callao, Peru   |
|                                     |  | 12724                        | ZSC                         | Cape Town, So. Africa  |
|                                     |  | 12745                        | VWC                         | Calcutta, India  |
|                                     |  | 13020.4                      | VPS60                       | Kowloon, Hong Kong   |
|                                     |  | 14670                        | CHU                         | Ottawa, Ontario Canada   |
|                                     |  | 15000                        | ATA                         | New Delhi, India   |
|                                     |  | 15000                        | BSF                         | Chung Li, Taiwan   |
|                                     |  | 15000                        | JJY                         | Tokyo, Japan   |
|                                     |  | 15000                        | LOL                         | Buenos Aires, Argentina  |
|                                     |  | 15000                        | WWV                         | Fort Collins, Colorado   |
|                                     |  | 15000                        | WWVH                        | Kekaha, Kauai Hawai'i  |
|                                     |  | 17018                        | ZSC                         | Cape Town, So. Africa  |
|                                     |  | 17096                        | VPS80                       | Kowloon, Hong Kong   |
|                                     |  | 20000                        | WWV                         | Fort Collins, Colorado   |
|                                     |  | 20000                        | WWVH                        | Kekaha, Kauai Hawai'i  |
|                                     |  | 22455                        | ZSC                         | Cape Town, So. Africa-   |
|                                     |  | 22536                        | VPS22                       | Kowloon, Hong Kong   |
|                                     |  | 25000                        | WWV                         | Fort Collins, Colorado   |

**BOAT ANCHOR DOCK**

by John, W9SWL

Boatanchors are like Rolex watches. A \$19.95 Timex Indigo keeps better time and has more features than the Rolex President that it resembles. But a Timex is not a Rolex. Similarly, my computerized ICOM has better frequency readout and more features than a Heathkit. But an ICOM is not a Heathkit.

**TECHNICAL TIDBITS**

by John, W9SWL

For those that think only WWV is the standard reference, here are a few more to consider. They also might give a reference as to how the bands are for DX.

| <u>Freq.(kHz)</u> | <u>Call</u> | <u>Location</u>                             |
|-------------------|-------------|---|
| 20                | WWVL        | Fort Collins, Colorado (QRT since 1972)     |
| 50                | OMA         | Prague, Czechoslovakia                      |
| 60                | MSF         | Rugby, England                              |
| 60                | WWVB        | Fort Collins, Colorado -- Atomic Clock Sync |
| 75                | HBG         | Prangins, Switzerland                       |
| 77.5              | DCF77       | Mainflingen, Germany                        |
| 177               | DGI         | Oranienburg, Germany                        |
| 418               | ZSC         | Cape Town, So. Africa                       |
| 434               | VWC         | Calcutta, India                             |
| 482               | 4PB         | Colombo, Sri Lanka                          |
| 500               | VPS         | Kowloon, Hong Kong                          |
| 1510              | HD2IOA      | Guayaquil, Ecuador                          |
| 2500              | VNG         | Australia                                   |
| 2500              | BPM         | PR China                                    |
| 2500              | HLA         | Korea                                       |
| 2500              | OMA         | Prague, Czech Republic                      |
| 2500              | JJY         | Tokyo, Japan                                |
| 2500              | RCH         | Uzbekistan                                  |
| 2500              | WWV         | Fort Collins, Colorado                      |
| 2500              | WWVH        | Kekaha, Kauai Hawai'i                       |
| 2500              | ZUO         | Olifantsfontein, So. Africa                 |
| 3170              | OLB5        | Prague, Czech Republic                      |
| 3330              | CHU         | Ottawa, Ontario Canada                      |
| 3810              | HD2IOA      | Guayaquil, Ecuador                          |
| 4232.5            | VPS8        | Kowloon, Hong Kong                          |

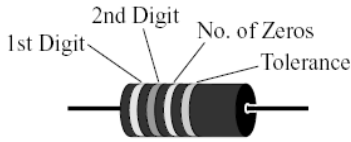
**ASK ELMER ??**

by John, W9SWL

**How do you read the Color Bands on a resistor?**

The color bands tell the resistance of the resistor. See chart below. Measure from the band closest to one end.

|        |   |
|--------|---|
| Black  | 0 |
| Brown  | 1 |
| Red    | 2 |
| Orange | 3 |
| Yellow | 4 |
| Green  | 5 |
| Blue   | 6 |
| Violet | 7 |
| Gray   | 8 |
| White  | 9 |



| Fourth Band |      |
|-------------|------|
| None        | ±20% |
| Silver      | ±10% |
| Gold        | ±5%  |
| Red         | ±2%  |

Here is an internet interactive:

[http://www.electrician.com/resist\\_calc/resist\\_calc.htm](http://www.electrician.com/resist_calc/resist_calc.htm)

**What happens when you increase the windings on a multi-layered coil? (See picture):**

L is the inductance in microhenrys (uH)

LT is total inductance

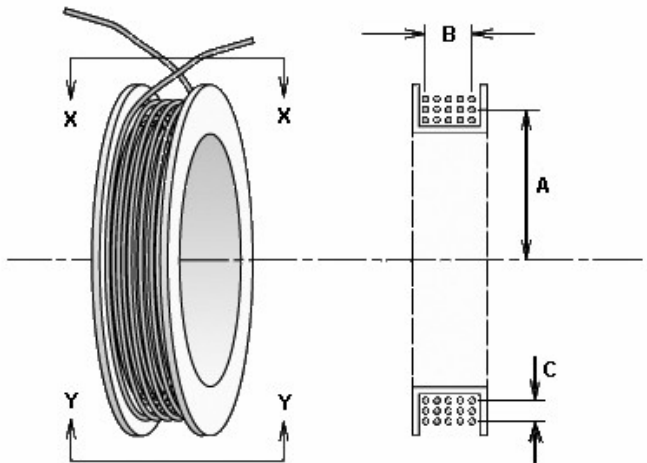
L1 and L2 are inductance of the individual coils

M is the mutual inductance

N is the number of turns

$$LT = \frac{1}{\frac{1}{L1 + M} + \frac{1}{L2 + M}}$$

$$L = \frac{0.8(NxA)^2}{6A + 9B + 10C}$$



- A. Total Inductance increases
- B. The 'Q' increases
- C. Total Inductance decreases
- D. The 'Q' decreases
- E. Both A & D
- F. Both B & C
- G. None of the above

Please send your answer via eMail to the club at

[novpuzzle@w9cva.org](mailto:novpuzzle@w9cva.org)

**CVARC OFFICERS**

President – Gale Sorum (WD9HFT)

Vice President – John Balow (KB9VCO)

Secretary – Ron Krueger (W9JRW)

Treasurer – Ron Anderson (W9RMA)

Past President – John Ingersoll (W9SWL)

**Mailing Address:**

Secretary - CVARC

18310 79th Ave

Chippewa Falls WI 54729

**Web:** <http://www.w9cva.org/>

**Email:** [info@w9cva.org](mailto:info@w9cva.org)